

Specification

製品仕様書

“Broadband Spectrum LED” for plant growth

Jan. 2022

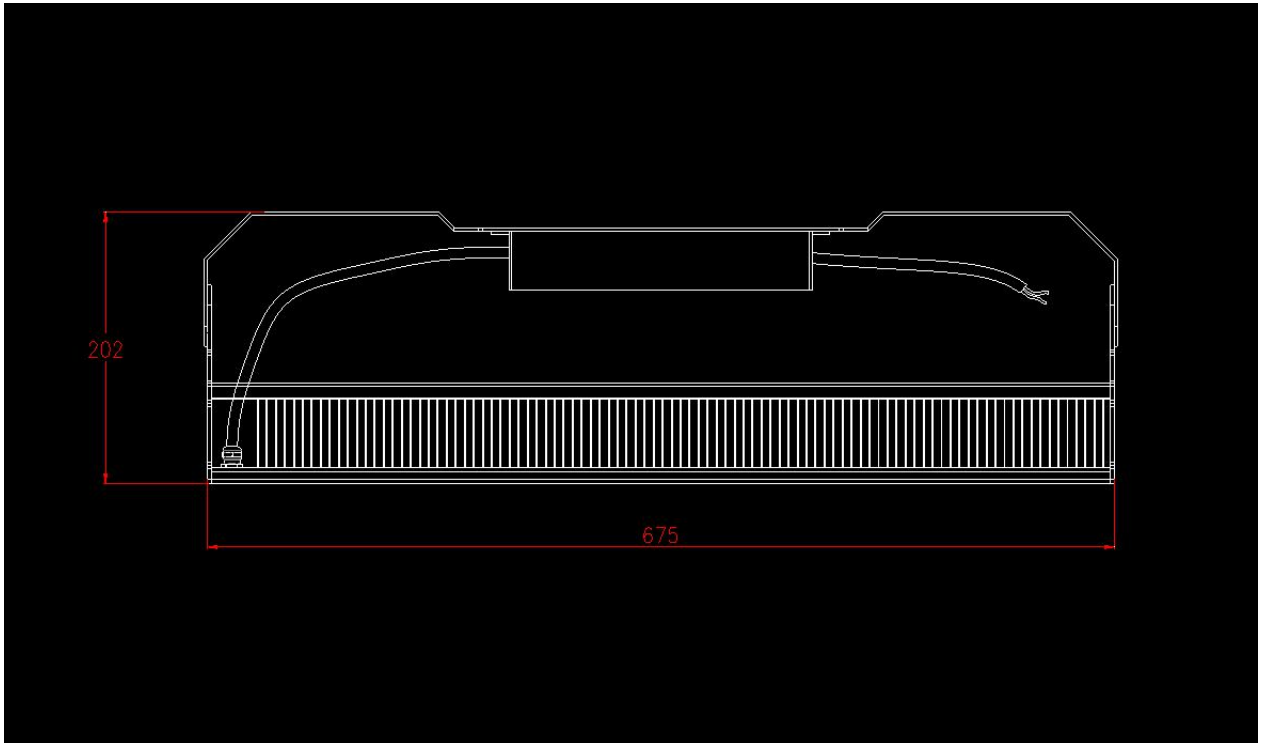
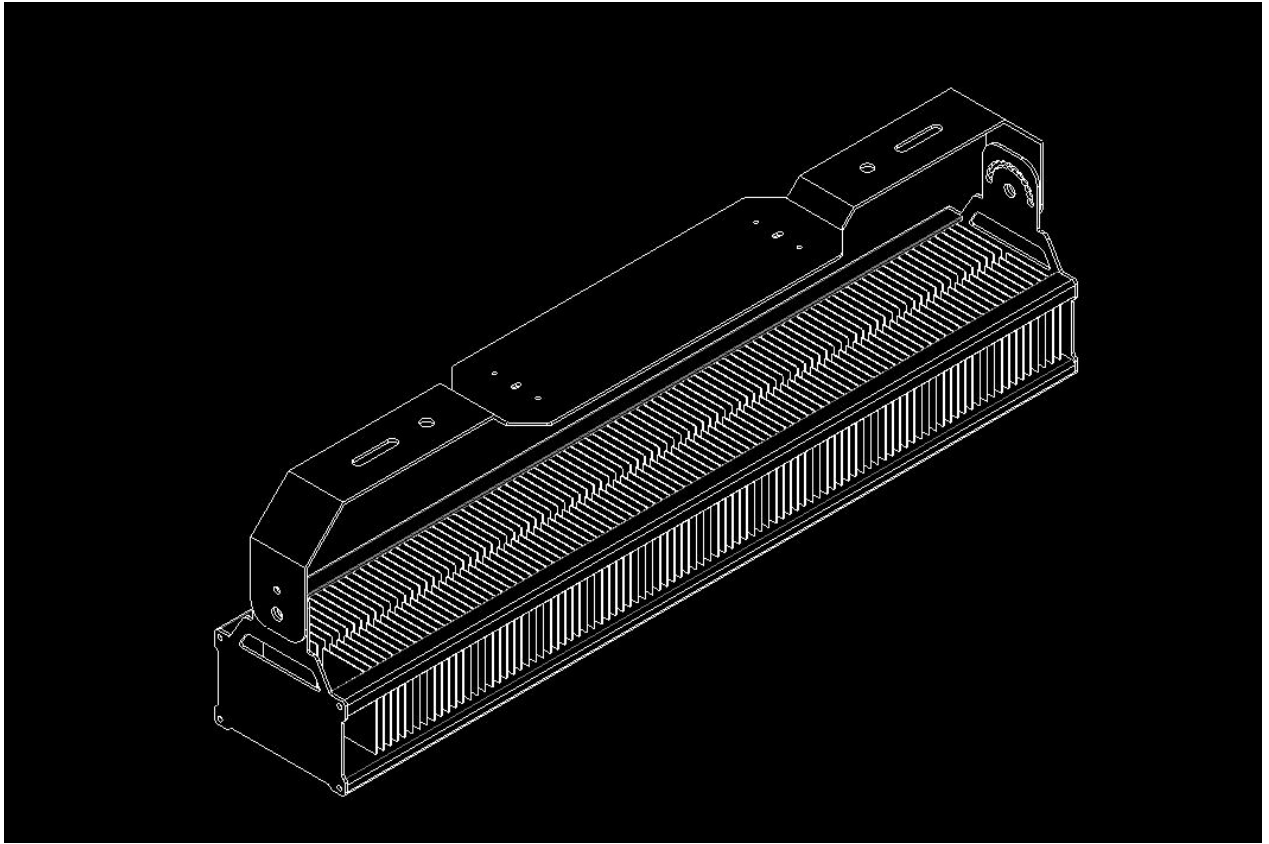
製品形状

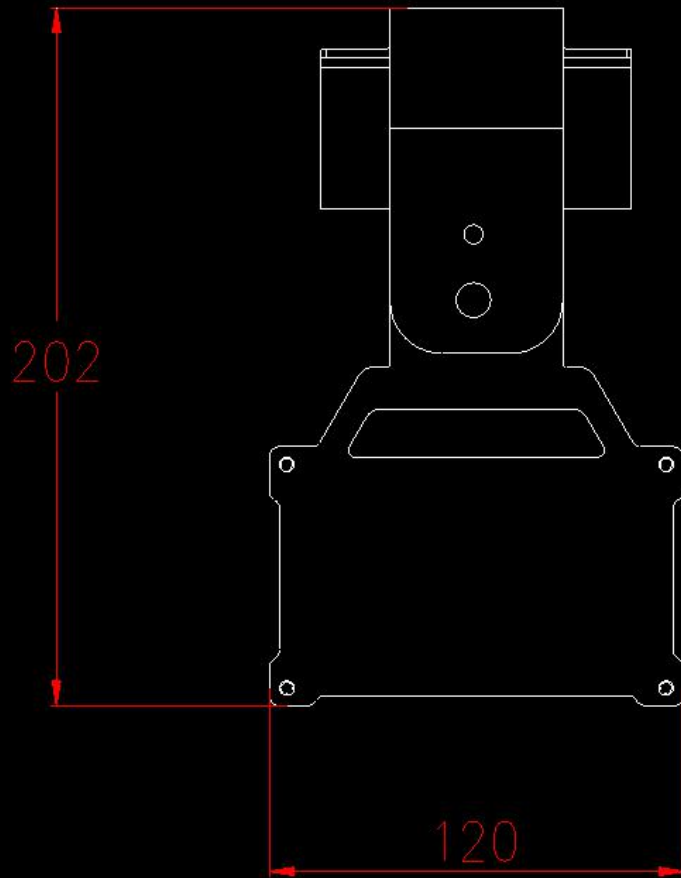
DQ-TOP 320



製品図面

DQ-TOP 320





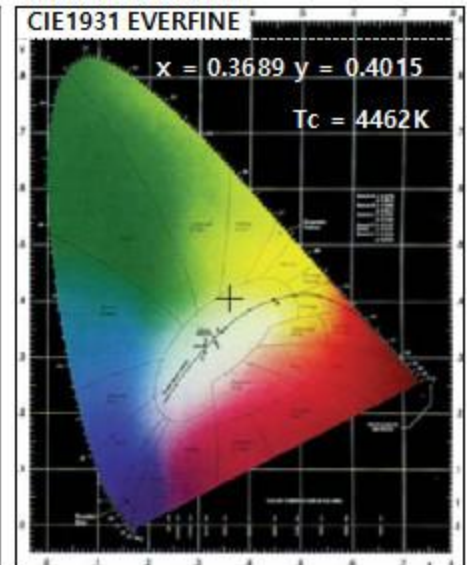
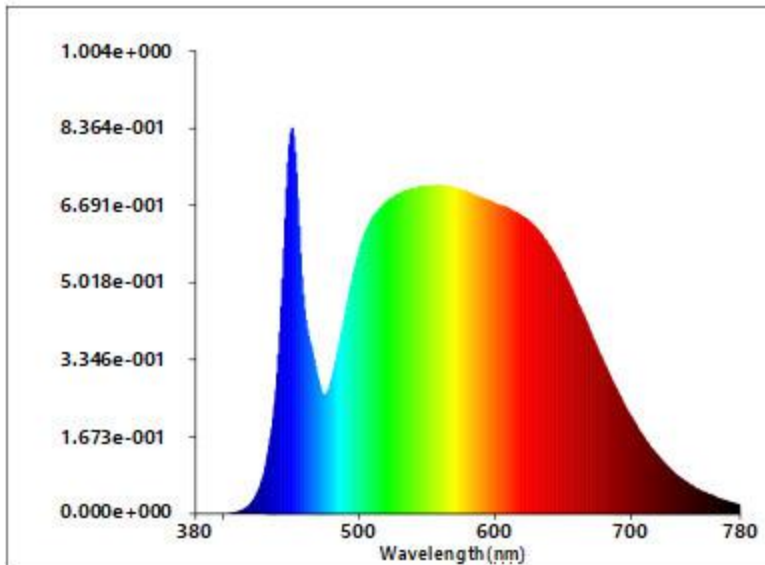
製品仕様

Model (Part No.)		-	DQ-TOP 320
Classification		Unit	SPECIFICATIONS
General	Power Consumption	W	320
	Dimension	mm	675(L) X 120(W) X 202(H)
	Weight	kg	7.5
	Working Temp.	°C	-30 ~ +50
	Storage Temp.	°C	-40 ~ +80
	Working Humidity	RH	20 ~ 95%
	Storage Humidity	RH	10 ~ 95%
	IP Rate	-	IP65
Optical	Spectrum	nm	400-780
	Color Temp.	K	4400±200
	CRI	Ra	Min. 90
	Beam Angle	FWHM	98°
	PPE	μmol/s/w	2.144
Electrical	Voltage Range	Vac	110 ~ 240
	Frequency Range	Hz	50 / 60
	Power Factor	PF	95% over @ 220Vac
	Efficiency	%	90% over
Mechanical	Connection Type	-	Pendant type
	Etc	-	

お客様のカスタマイズ可能なオプション：

1. パワー固定型
2. 電力調整可能タイプ (0-100%無段階調光タイプ)

Plant optics Test Report



Plant Parameters:

Flux(lm): 48278

Spectral radiance(W/nm): 154.9

Flux(W): 147.7

Efficiency: 0.4551

PPE: 2.144

Erb_Ratio: 1.658

Flux_UV(W): 0.001844

PPF.t(umol/s): 696.1

Photon flux_fr(umol/s): 41.94

Flux(380-780)(W): 154.4

Flux_ch-A.t(J): 20.67

Flux_ch-B.t(J): 0.02667

Flux b.t(J): 30.02

Flux y.t(J): 69.2

49.79 Flux r.t(J): 49.79

PPF(umol/s): 696.1

PPF(400-500)(umol/s): 116.6

PPF(500-600)(umol/s): 318.4

PPF(600-700)(umol/s): 266.8

Qv(lm.s): 48278

Qe(J): 154.9

Far-red flux(W): 6.918

Effi-fr: 0.0213

Kfr: 0.1291

Flux_b(W): 154.4

Flux_fr(W): 6.918

Kp(umol/s/W): **2.144**

Flux(400-700)(W): 147.7

Flux_ch-A(W): 20.67

Flux_ch-B(W): 26.66

Flux b(W): 30.02

Flux y(W): 69.2

Flux r(W) :